

LED Flood Light

Static White

Client	
Project	
Order Code	
QTY	



100W

Thank you for purchasing the Colordreamer LED Flood Light

Our manual will describe the installation and mounting of the product as well as a description of how to use it. Please read and understand this manual in its entirety before using the product.

Product Warranty is void if product is not installed as per installation instructions and in compliance with all local and provincial codes.

SAFETY RECOMMENDATIONS AND WARNINGS

Do not make modifications or alter the product

Keep away from flammable material.

Do not hose or pressure clean.

Do not use any silicone or other chemicals on outside surface.

Do not use chemicals or abrasives to clean the luminaires as this may voids the warranty.

Ensure installation complies with local electrical rules and regulations.

Ensure mains input power is surge protected

Do not connect or disconnect the luminaire while the power is connected.

Connectors are to be kept clean and dry at all times.

Once installed, all connectors are to be mated and a terminating plug or end cap is required on the last fitting of run.

When placing the luminaries in an end-to-end setup, be sure to leave a minimum gap of 10mm to allow the thermal expansion

Colordreamer Products are cooled by convection. Provide adequate ventilation by providing free air flow around.

If the ambient temperature around the luminaires exceeds 55degrees, do not use the products and turn off the system.

Power off the luminaires during service or when not in use.

Product Overview

This LED Flood Light is designed for architectural Facade, bridge and so on.

It can deliver high efficiency light output and uniform beam with professional lens.

We used Top Brand Silicone for better heat conduction, strong temperature withstands and perfect waterproof performance.

Apply solid capacitor and other good brand components on PCB for long life time.

Save 40% power with more efficient power management design.

With wide voltage range design, LED color always keep same brightness after long distance power supply.

Standard DMX512 control protocol (Max 44frames/second).

The communication between lights is synchronized perfectly under support of Colordreamer Artnet Controller.

Lightning and ESD Protection

Electrical Protections: short circuit, over current, over voltage and over temperature.

Product Specification

Models	F1853601	F1857201
LED		
Color	White	White
Light Source	High Power LED	High Power LED
LED Source Color	W:3000K W:4000K W:6000K	W:3000K W:4000K W:6000K
CRI for White LED	>80	>80
LED QTY	36LEDs	72LEDs
Performance		
Lumen Output	4000lumen	8000lumen
Efficacy	80lumen per watt	80lumen per watt
Beam Angle	10°Narrow 20°Narrow Medium 30°Medium 45°Wide	10°Narrow 20°Narrow Medium 30°Medium 45°Wide
Electrical		
Input Voltage	120-277VAC	120-277VAC
Power Consumption	50W	100W
Control		
Protocols	On-Off or DMX/RDM	On-Off or DMX/RDM
Addressing	Manual Addressing with Colordreamer Addressing Tool	
Pixels	1Pixel	1Pixels
Physical		
Housing	Aluminum 6063 with Tempered Glass	
Finish Color	Powder coating, Black/Grey Silver or Custom RAL Color	
Dimensions(LXWxH)	220X185X118.5mm (exclude brackets)	385X185X118.5mm (exclude brackets)
Dimensions(LXWxH)	220X185X225mm (include brackets)	385X185X225mm (include brackets)
Cable Entry	Bottom Entry	
Mounting	Surface Mounting	
Accessory	Half Glare Shield	
Packing	54X30X30 with 2pcs F1850904 12.5Kg 54X30X30 with 1pcs F1861804 10.5kg	
Environment		
Operating	-30°C to +50°C	

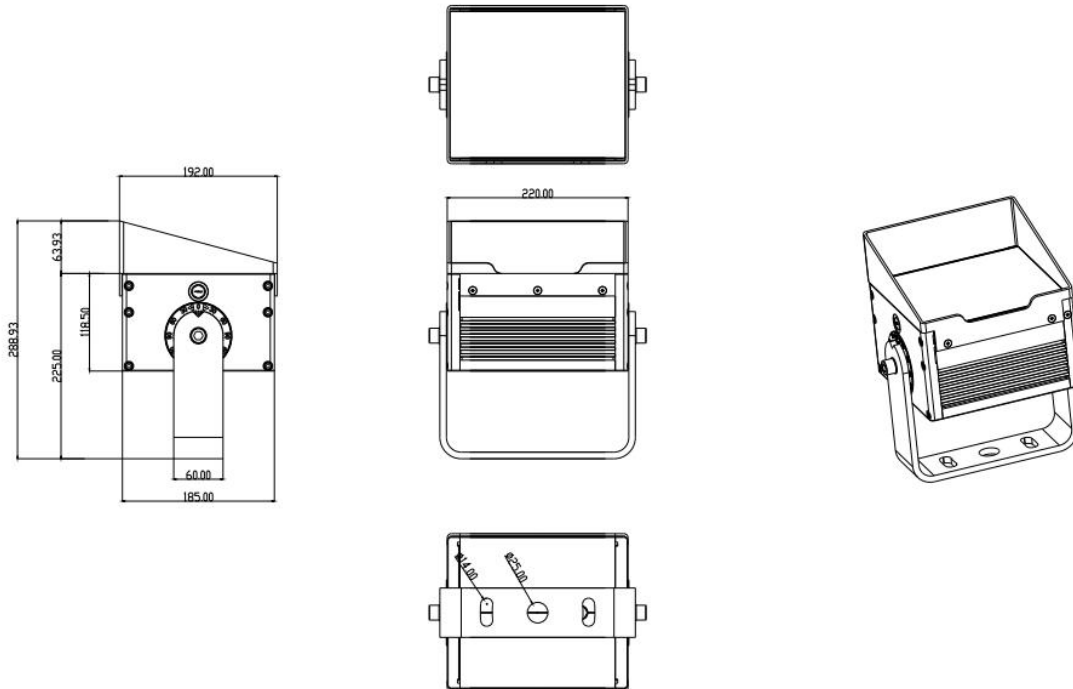


Temperature	
Storage Temperature	-40°C to +70°C
Humidity	0-90% non-condensing
IP Rating	Dry, Damp, Wet locations IP66
Certification and Safety	
Certification	CE
Warranty	2Years Limited Warranty from the Date of Manufacture Contact us if you need extended warranty

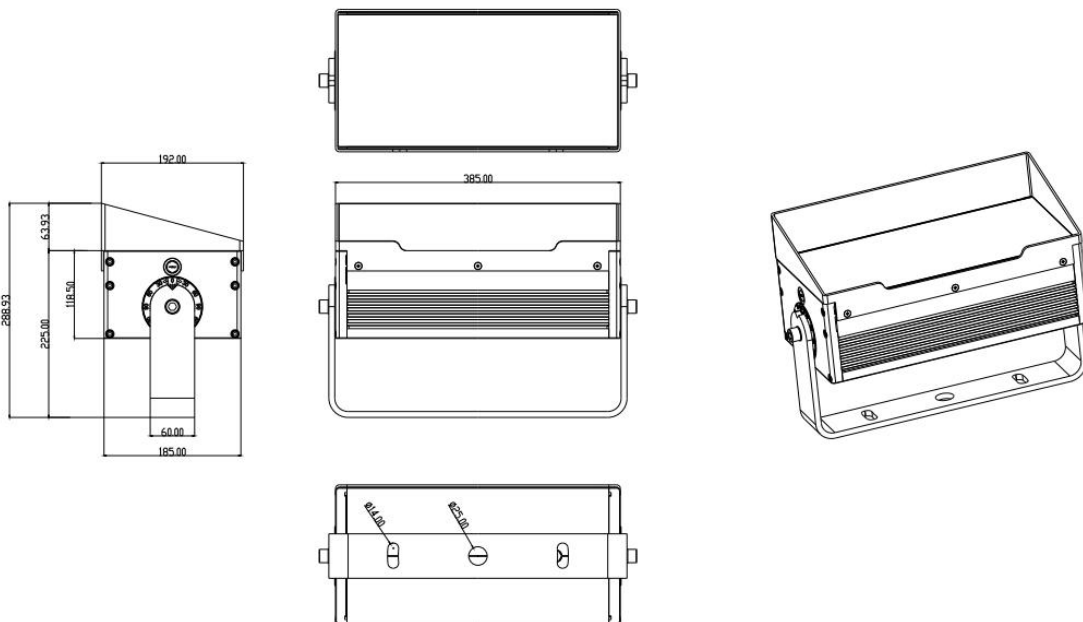
Remark: The given data of CCT, beam angles, lumen output and electrical power are typical value. Due to the tolerances of the production process and the electrical components, the values can vary up to 10%.

Dimension

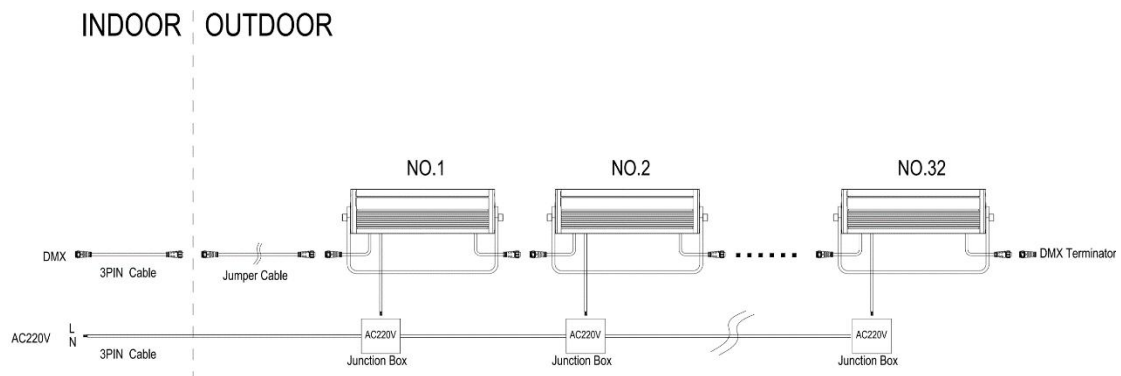
50W Version






100W Version







System Diagram



Wire Color and Designations for AC Input

Wire	Color
Brown	 AC L
Blue	 AC N
Yellow/Green	 AC GND

Wire Color and Designations for DMX IN and Out

Wire Color	Description
Red	 N/C
Black	 Power and Signal GND
Green	 DMX+
Blue	 DMX-

Accessories List (Need Order Separately)

Name	Order Code	Description
Leader Cable	67E4FB-20CM	IP67 Connector,20cm Long 4PIN Female to open wire
Leader Cable	67E4FB-5M	IP67 Connector,5Meter Long 4PIN Female to open wire
Jumper Cable	67E4M4F-5M	IP67 Connector,5Meter Long 4PIN Male to 4PIN Female
IP67 Connector to XLR Cable	67E4F5XM-20CM	20CM Long 4PIN IP67 Female Connector to XLR 5PIN Male Cable
IP67 Connector to XLR Cable	67E4F5XM-5M	5M Long 4PIN IP67 Female Connector to XLR 5PIN Male Cable
DMX Terminator	CD-DT4M	4PIN Male DMX Terminator with 120Ω Resistor Between DMX+ and DMX-
End Cap	CD-EC	End cap for female connector